

PLAN NOTES:

- 1 SEE STRUCTURAL DRAWINGS FOR LINTELS & ALL OPENINGS IN MASSIVE WALLS.

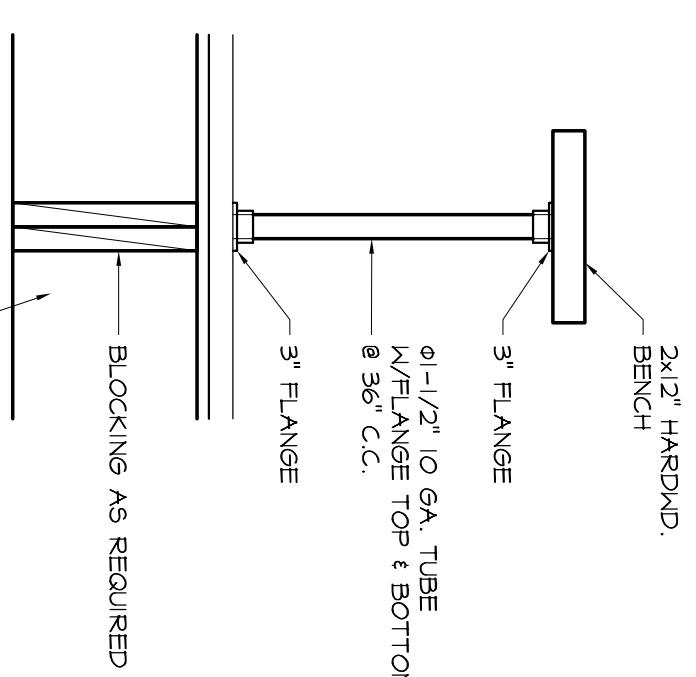
SPECIFIC FLOOR PLAN NOTES:

- 1 ATTIC ACCESS WITH LADDER AFFIXED TO WALL
- 2 SHELF UNIT ABOVE BUNKS - BLKG. IN WALL FOR ANCHORING (TYPICAL EACH BUNK RM) - FINISH TO BE STAINED
- 3 HOP BASIN BY PLUMBING CONTRACTOR
- 4 LOOSE EQUIPMENT BY OWNER
- 5 LOCKER ROOM BENCHES BY BID PKG. #5 (SEE 2-A103)
- 6 TWO LAYERS OF 5/8" DRYWALL FULL HGT. TO UNDERSIDE OF ROOF
- 7 24"x24"x72" METAL LOCKERS - SEE SPECIFICATIONS
- 8 WALL TO BE PARDED OUT 1-5/8"
- 9 OPEN RISER METAL STAIR

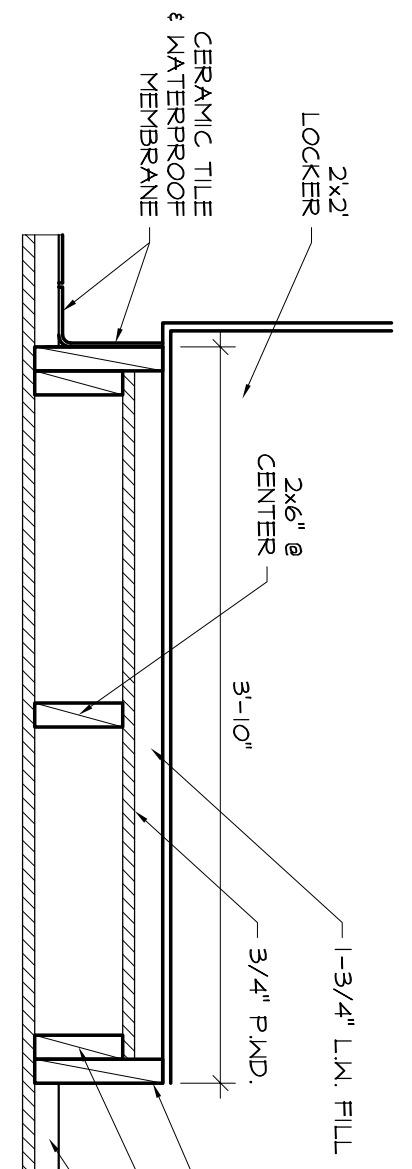
FIRST FLOOR DOOR SCHEDULE

DOOR NUMBER	DOOR TYPE	DOOR			GLASS	FRAME			LABEL	HOUR GROUP	REMARKS				
		QTY.	THICK.	WIDTH		HEIGHT	MATL.	MATL.				JAMB	HEAD	SILL	
200	2	1	1-3/4"	3'-0"	7'-0"	STL.	5x20"	F-1	STL.	2"	4"	6	B	6	STAIRS S-1
201	1	1	1-3/4"	2'-8"	7'-0"	HD.		F-2	STL.	2"	2"	12			
202	1	1	1-3/4"	2'-8"	7'-0"	HD.		F-2	STL.	2"	2"	12			
203	1	1	1-3/4"	2'-8"	7'-0"	HD.		F-2	STL.	2"	2"	12			
204	1	1	1-3/4"	2'-8"	7'-0"	HD.		F-2	STL.	2"	2"	12			
205	1	1	1-3/4"	2'-8"	7'-0"	HD.		F-2	STL.	2"	2"	12			
206	1	1	1-3/4"	2'-8"	7'-0"	HD.		F-2	STL.	2"	2"	12			
207	1	1	1-3/4"	2'-8"	7'-0"	HD.		F-2	STL.	2"	2"	12			
208	1	1	1-3/4"	2'-8"	7'-0"	HD.		F-2	STL.	2"	2"	12			
209	1	1	1-3/4"	2'-8"	7'-0"	HD.		F-2	STL.	2"	2"	12			
210	1	1	1-3/4"	2'-8"	7'-0"	HD.		F-2	STL.	2"	2"	12			
211	1	1	1-3/4"	2'-8"	7'-0"	HD.		F-2	STL.	2"	2"	12			
212	1	1	1-3/4"	2'-8"	7'-0"	HD.		F-2	STL.	2"	2"	12			
213	1	1	1-3/4"	2'-8"	7'-0"	HD.		F-2	STL.	2"	2"	12			
214	1	1	1-3/4"	2'-8"	7'-0"	HD.		F-2	STL.	2"	2"	12			
215	1	1	1-3/4"	2'-8"	7'-0"	HD.		F-2	STL.	2"	2"	7			
215A	1	1	1-3/4"	2'-8"	7'-0"	HD.		F-2	STL.	2"	2"	7			
215B	1	1	1-3/4"	2'-8"	7'-0"	HD.		F-2	STL.	2"	2"	7			
216	1	1	1-3/4"	2'-8"	7'-0"	HD.		F-2	STL.	2"	2"	7			
216A	1	1	1-3/4"	2'-8"	7'-0"	HD.		F-2	STL.	2"	2"	7			
217	1	1	1-3/4"	2'-8"	7'-0"	HD.		F-2	STL.	2"	2"	7			
218	1	1	1-3/4"	2'-8"	7'-0"	HD.		F-2	STL.	2"	2"	7			
219	1	1	1-3/4"	2'-8"	7'-0"	HD.		F-2	STL.	2"	2"	7			
220	1	1	1-3/4"	2'-8"	7'-0"	HD.		F-2	STL.	2"	2"	7			
221	1	1	1-3/4"	2'-8"	7'-0"	HD.		F-2	STL.	2"	2"	7			
222	1	1	1-3/4"	2'-8"	7'-0"	HD.		F-2	STL.	2"	2"	7			
222A	2	1	1-3/4"	2'-8"	7'-0"	HD.	5x20"	F-1	STL.	2"	4"	4	C	6	
222B	2	1	1-3/4"	2'-8"	7'-0"	HD.	5x20"	F-1	STL.	2"	4"	4	C	6	
223	2	1	1-3/4"	2'-8"	7'-0"	HD.	5x20"	F-1	STL.	2"	4"	4	C	6	
224	1	1	1-3/4"	2'-8"	7'-0"	HD.		F-2	STL.	2"	2"	12			STAIRS S-2

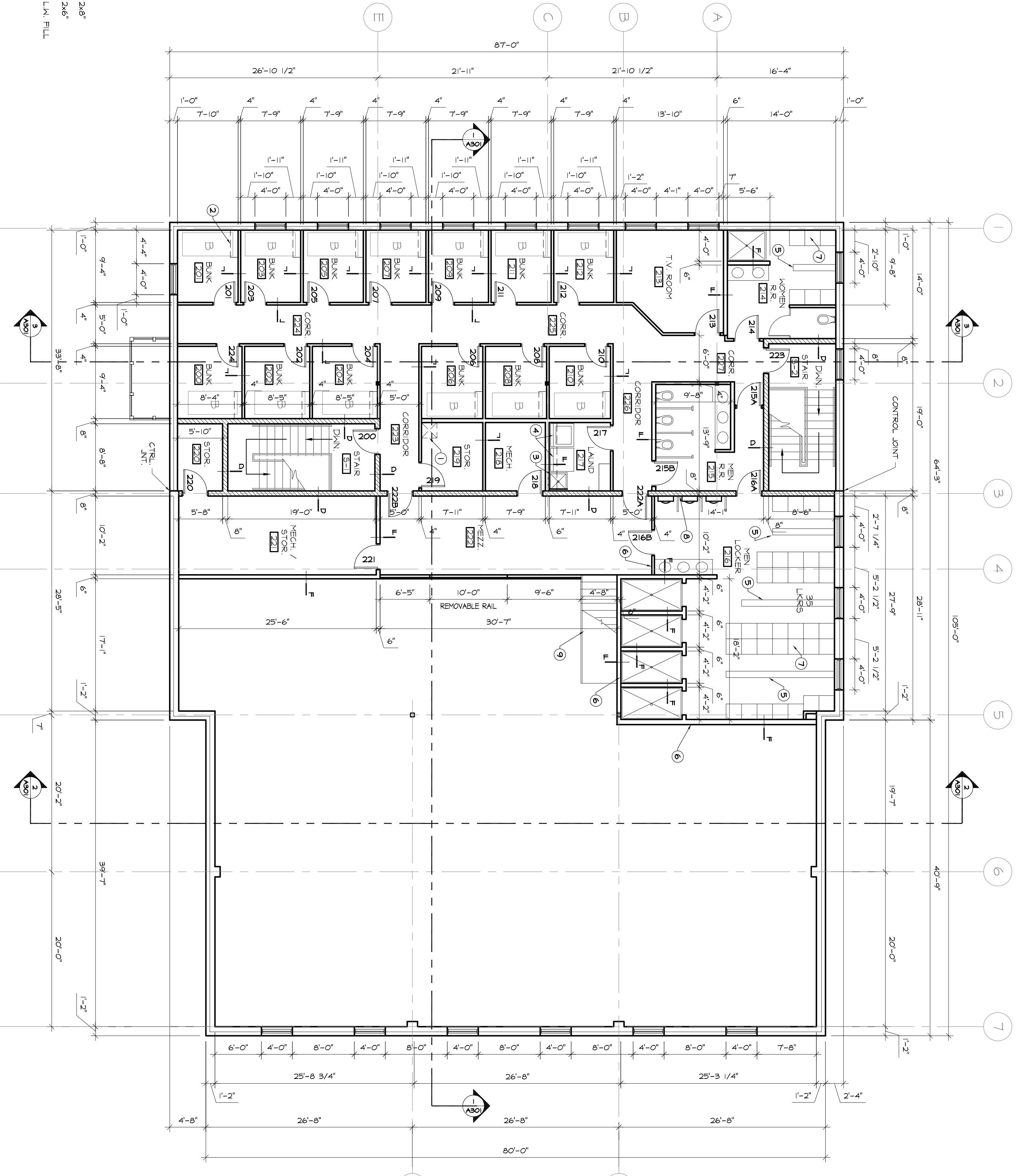
NOTE: LABEL B INDICATES 1-1/2 HOUR RATED DOOR & LABEL C INDICATES 3/4 HOUR RATED DOOR



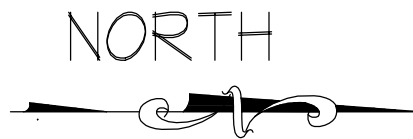
2 LOCKER RM. BENCH DET.
SCALE: 1" = 1'-0"



3 LOCKER BASE DETAIL
SCALE: 1" = 1'-0"



1 SECOND FLOOR PLAN
SCALE: 1/8" = 1'-0"



Senefeld and Associates,
Architects, Inc.
802 Mulberry St., 11-1
Noblesville, Indiana 46060
P. (317) 774-1400
F. (317) 774-8518

DUPLICATE
No. 2497
STATE OF
INDIANA
ARCHITECTS
Senefeld and Associates, Inc.

All furnished drawings, specifications, and copies are property of the Architect. They are to be used only with respect to this project and are not to be used for any other project without the written consent of the Architect. The Architect assumes no responsibility for the construction of the project or for the safety of the project. The Architect's liability is limited to the professional services rendered by the Architect. The Architect's liability is not to be construed as a warranty of the project or as a guarantee of the project. The Architect's liability is not to be construed as a warranty of the project or as a guarantee of the project.

WHITE RIVER TOWNSHIP FIRE DEPARTMENT
FIRE STATION NO. 51

CONSTRUCTION DOCUMENT
SECOND FLOOR PLAN
Job Number: 2414
Drawn By: JEH
Date: December 16, 2005
Checked By: DIS

SHEET NUMBER
A103